

Installation instructions for PZ4AL-02057-00, PZ4AL-02058-00
Under Run Protective Shield Engine Bay and Transmission Case

TOYOTA Highlander



TOYOTA Highlander



LEXUS

RX 200t; 350; 450h



LEXUS

RX 270; 350; 450h



Model Year:	Highlander 2010 - 2014-	RX270 04.2009 - 10.2015	RX 350 04.2009 - 10.2015 -	RX 450h 04.2009 - 10.2015 -	RX200t 10.2015 -
Vehicle Code:	GSU45L-BRAGKX ASU50L-ARTNKX ASU50L-ARTGKX GSU55L-ARTNKX GSU55L-ARTGKX	AGL10L-AWTGKW GGL15L-AWTGKW GYL15L-AWXGKW	AGL20L-AWTGZW AGL25L-AWTGZW GGL25L-AWZGBW GYL25L-AWXGBW	AGL20L-AWTGZW AGL25L-AWTGZW GGL25L-AWZGBW GYL25L-AWXGBW	AGL20L-AWTGZW AGL25L-AWTGZW GGL25L-AWZGBW GYL25L-AWXGBW

Part Number: Steel: PZ4AL-02057-00
Aluminium: PZ4AL-02058-00



Weight:

Steel: 8,5 kg
Aluminium: 5,14 kg

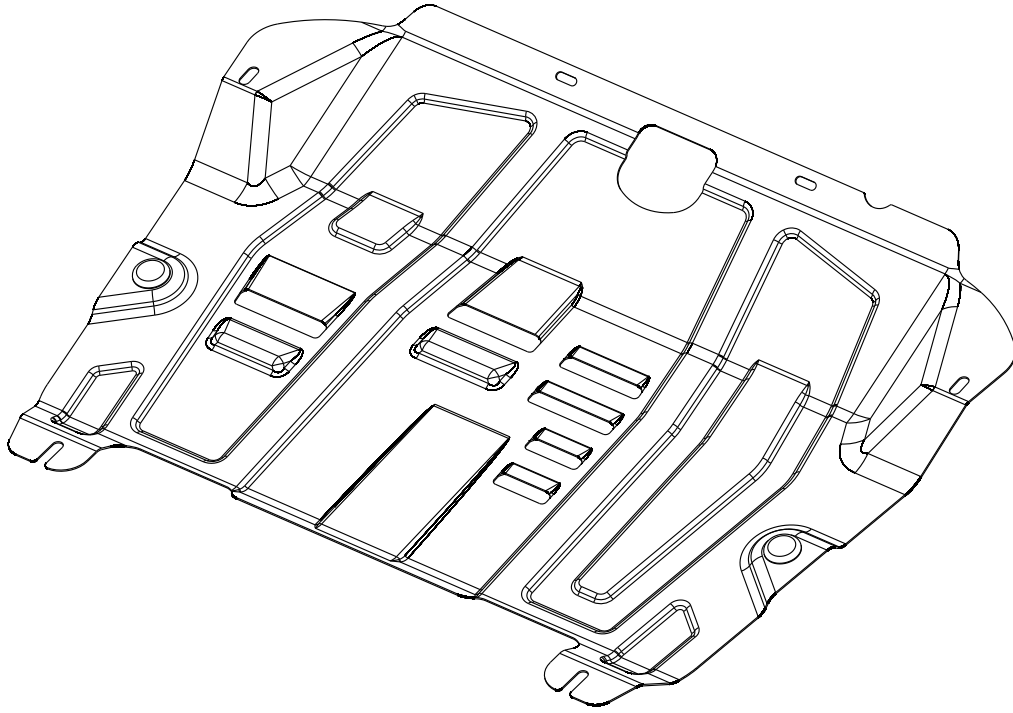


InstallationTime:

20 min

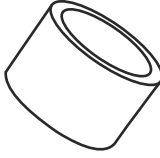
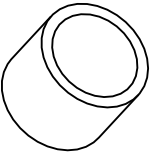
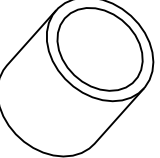
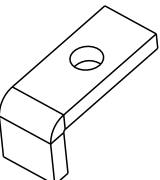
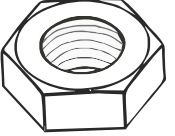






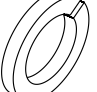
PZ4AL-02057-00, PZ4AL-02058-00

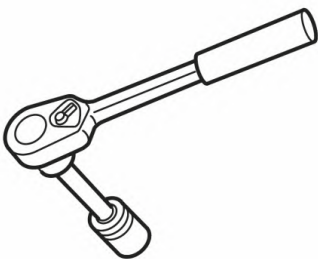
A



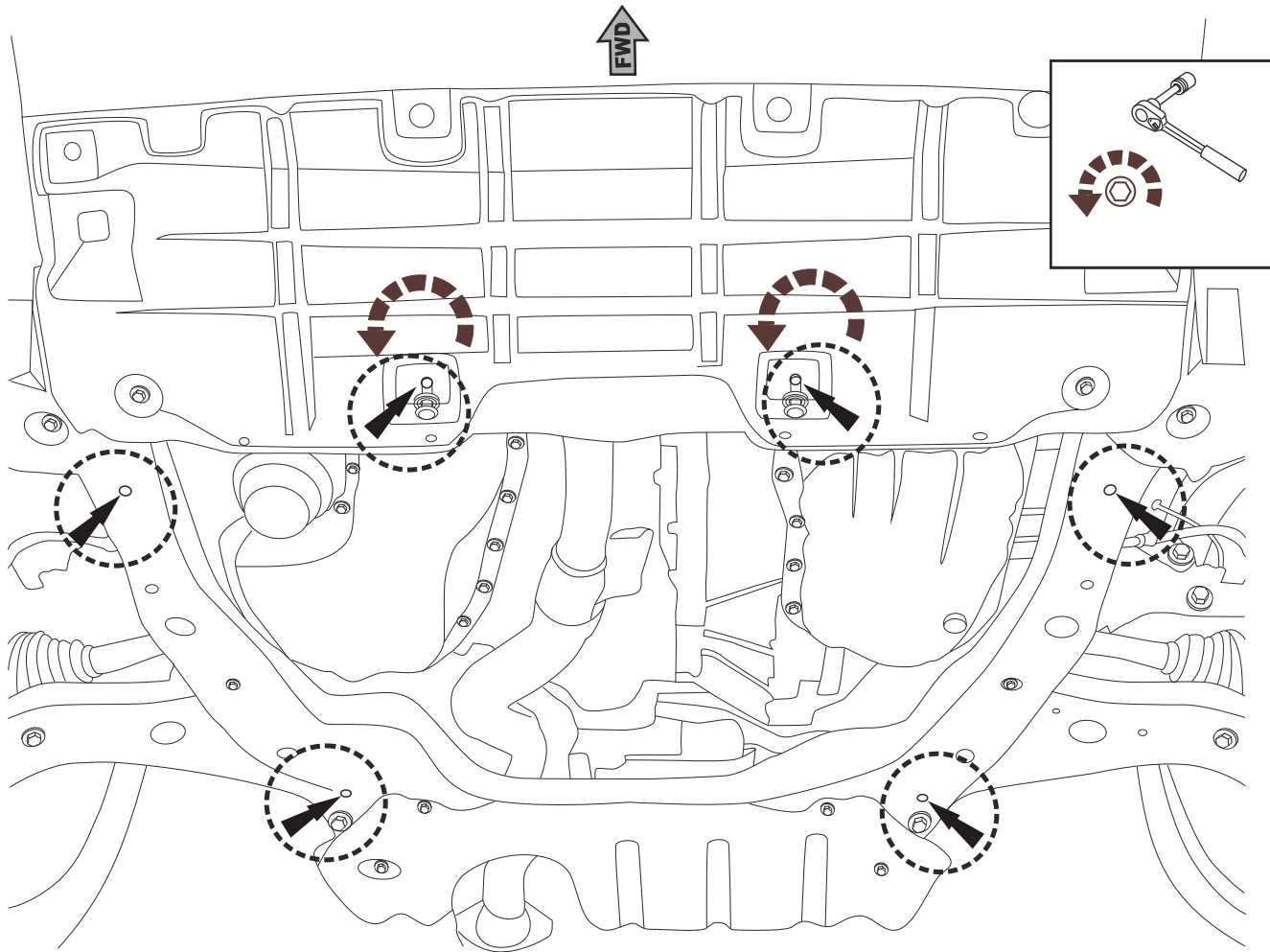
1x

PZ4AL-02057-60

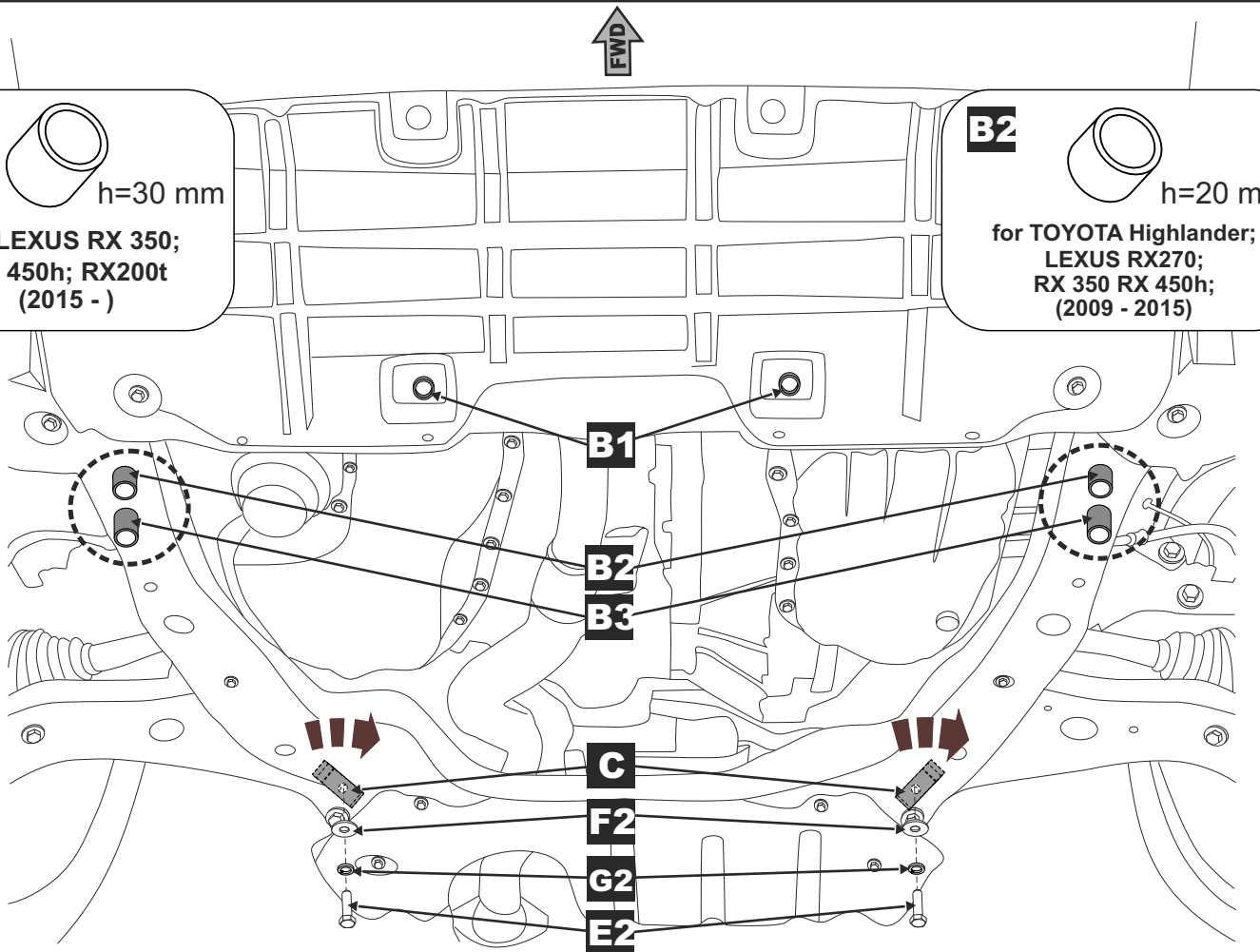
<p>B1</p>  <p>h=15 mm 2x</p>	<p>B2</p>  <p>h=20 mm 2x</p>	<p>B3</p>  <p>h=30 mm 2x</p>	<p>C</p>  <p>2x</p>	<p>D</p>  <p>2x</p>	<p>E1</p>  <p>M6x30 2x</p>
<p>E2</p>  <p>M10x80 2x</p>	<p>E3</p>  <p>M10x100 2x</p>	<p>F1</p>  <p>d=6 2x</p>	<p>F2</p>  <p>d=10 6x</p>	<p>G1</p>  <p>d=6 2x</p>	<p>G2</p>  <p>d=10 4x</p>



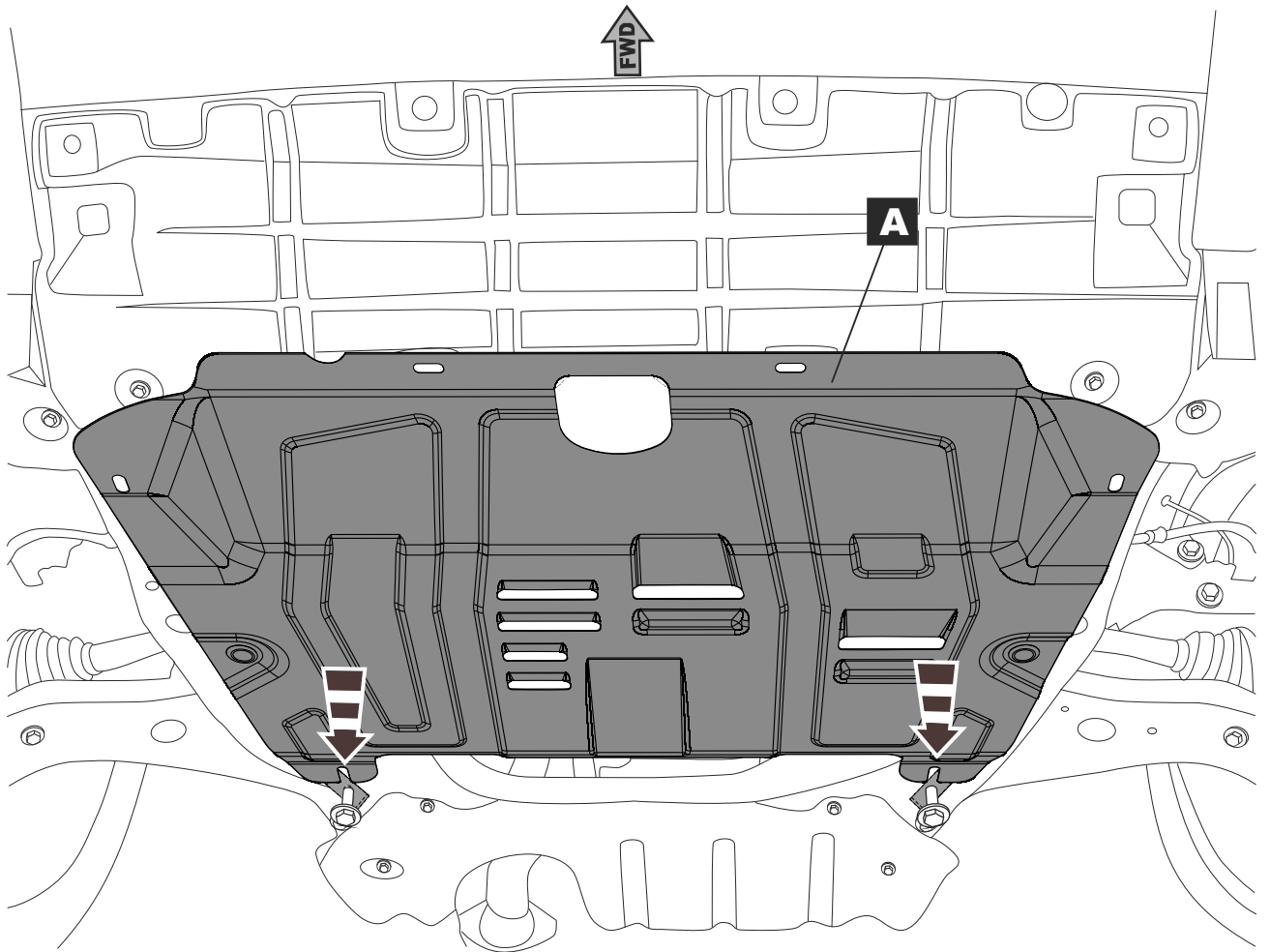
1



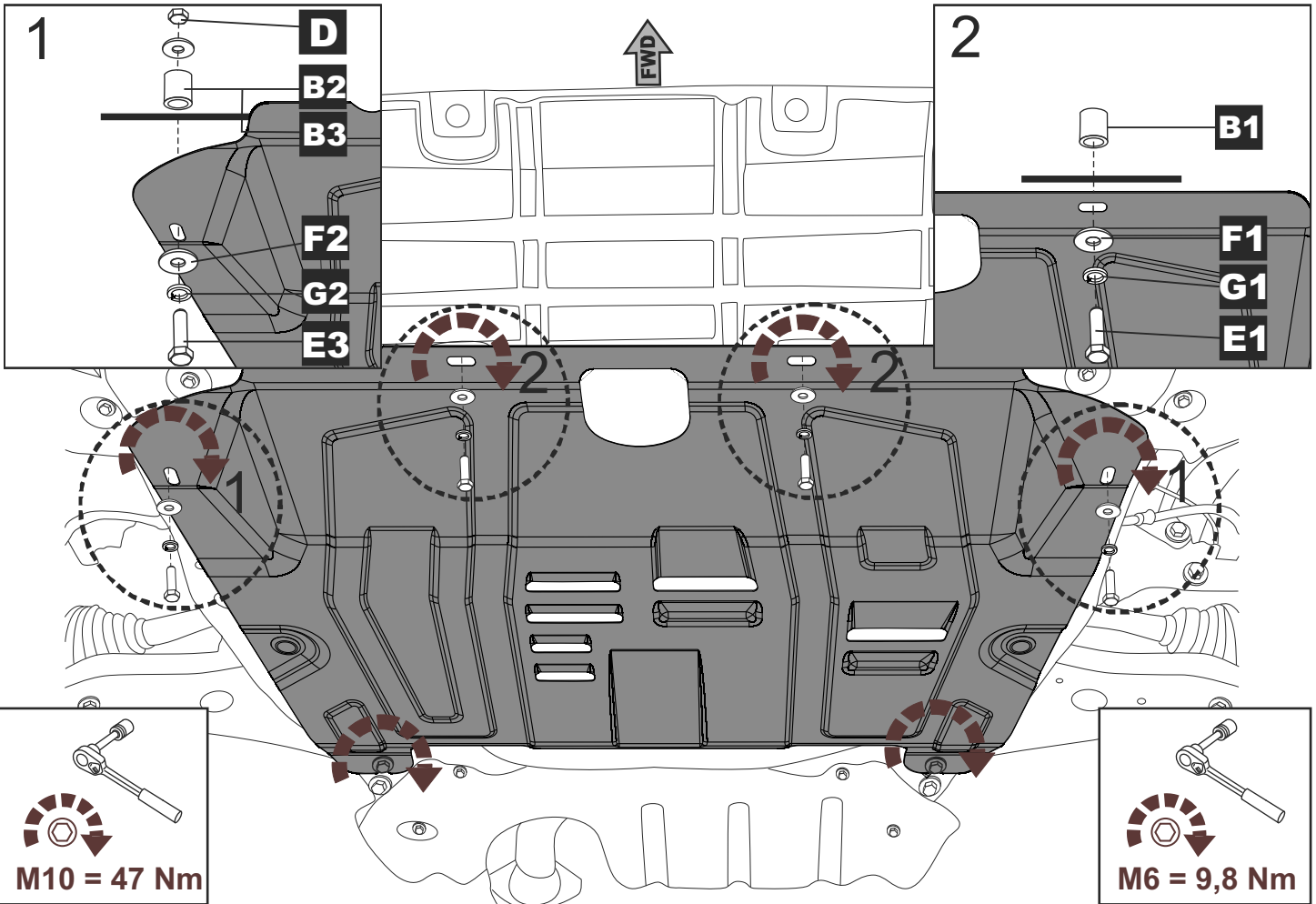
2

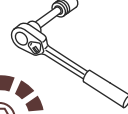


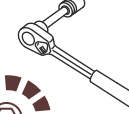
3



4




M10 = 47 Nm


M6 = 9,8 Nm

5

